

Vessel Sphere

**Connect /
Concept**

Designer: Robin Levien

Description

Connect Sphere over counter (vessel) lavatory 430 x 430 mm with one taphole, including cutting template EESV82467.

Necessary equipment

Fixation set.



Ceramic
Products

Product

Article-No.

Sphere over counter (vessel) 430 x 430 mm

E803901

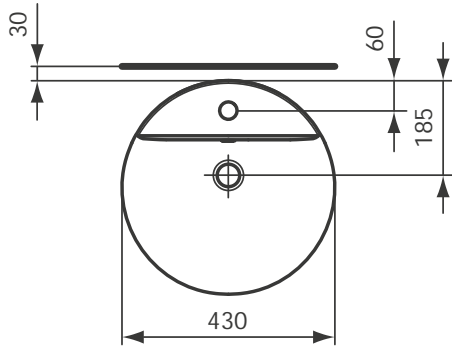
Necessary equipment

Wall fixing set

E009567

Finishes

01 White



30* = proposed measure

